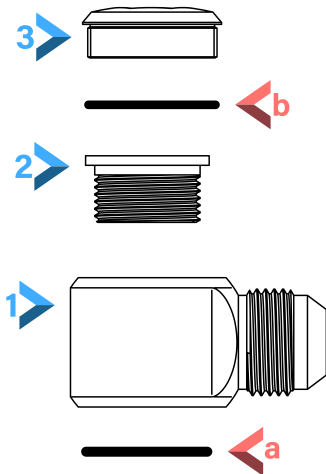


### BA7-M22-XXHF - HIGH FLOW BANJOS

# 1



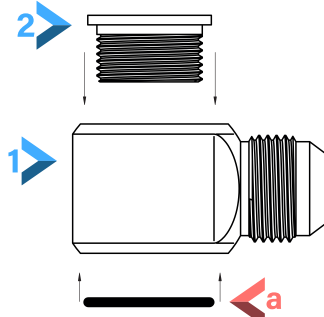
When fitting o-rings, always apply a thin layer of grease.

Before fitting the Banjo 1:

- Disassemble into 3 parts.
- Ensure o-rings are as illustrated above.

The o-rings should already be assembled, however the instructions will demonstrate where they will go if they do get removed.

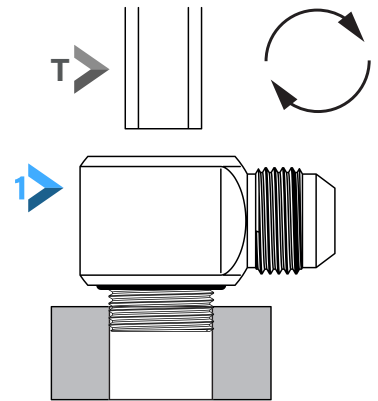
# 2



When fitting o-rings, always apply a thin layer of grease.

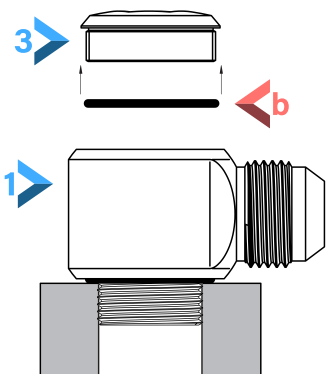
- Insert the Base Screw 2 through the smaller, unthreaded, hole in the banjo.
- The thicker o-ring a slots into the groove found on the base of the banjo 1 and should hold itself in place.

# 3



- Screw the Base Screw 2 into the M22 port, until its finger tight.
- Ensure this is level and not cross threading.
- Use a 15mm hex tool to tighten until the o-ring is compressed but the banjo 1 can still rotate.
- Turn the banjo to the direction needed and then tighten fully.

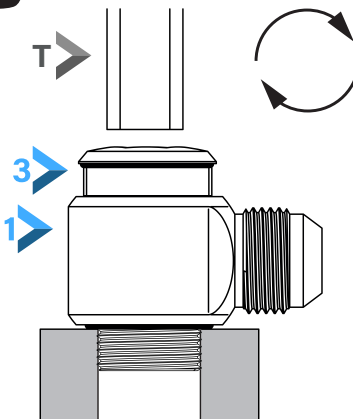
# 4



When fitting o-rings, always apply a thin layer of grease.

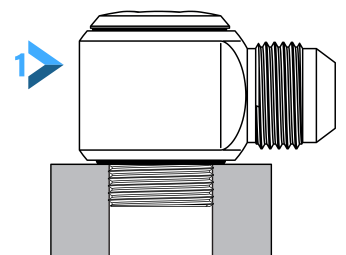
- The thinner o-ring b of the 2 will need to go into the groove on the Banjo Cap 3 (if not already on).

# 5



- Once the base is fastened, screw the Banjo Cap 3 into the top of the Banjo 1.
- Ensure this is level and not cross threading.
- Tighten using the 15mm hex tool.

# 6



- Once fully tightened, you can now attach the hose and fittings.

#### Available tools we stock

T	AK-M15	15MM HEX KEY FOR HI FLO BANJO
	AK-M15S	15MM HEX 1/2" SOCKET FOR HI-FLO