

12V DC		12" (305mm) Suction			12" (305mm) Blowing		
Revotec part no		<b>FAN0606</b>			<b>FAN0056</b>		
Full COMEX code		F27P-12E8004-41S 2700.0606.00			F27P-12E8003-11B 2700.0056.00		
Fan shroud type		F27P			F27P		
Static pressure		Suction			Blowing		
Pa	Inches H <sub>2</sub> O	Airflow m <sup>3</sup> /h	Airflow cfm	Current A	Airflow m <sup>3</sup> /h	Airflow cfm	Current A
0	0	<b>1580</b>	930	6.2	<b>1860</b>	1100	7.2
25	0.1	<b>1400</b>	830	6.4	<b>1510</b>	890	7.2
50	0.2	<b>1200</b>	710	6.5	<b>1220</b>	720	7.3
75	0.3	<b>990</b>	580	6.5	<b>870</b>	510	7.3
100	0.4	<b>730</b>	430	6.3	<b>470</b>	280	7.3
125	0.5	<b>450</b>	270	6.5	<b>130</b>	80	7.6
150	0.6	<b>160</b>	90	6.7	<b>0</b>	0	7.6
175	0.7	<b>0</b>	0	6.9			

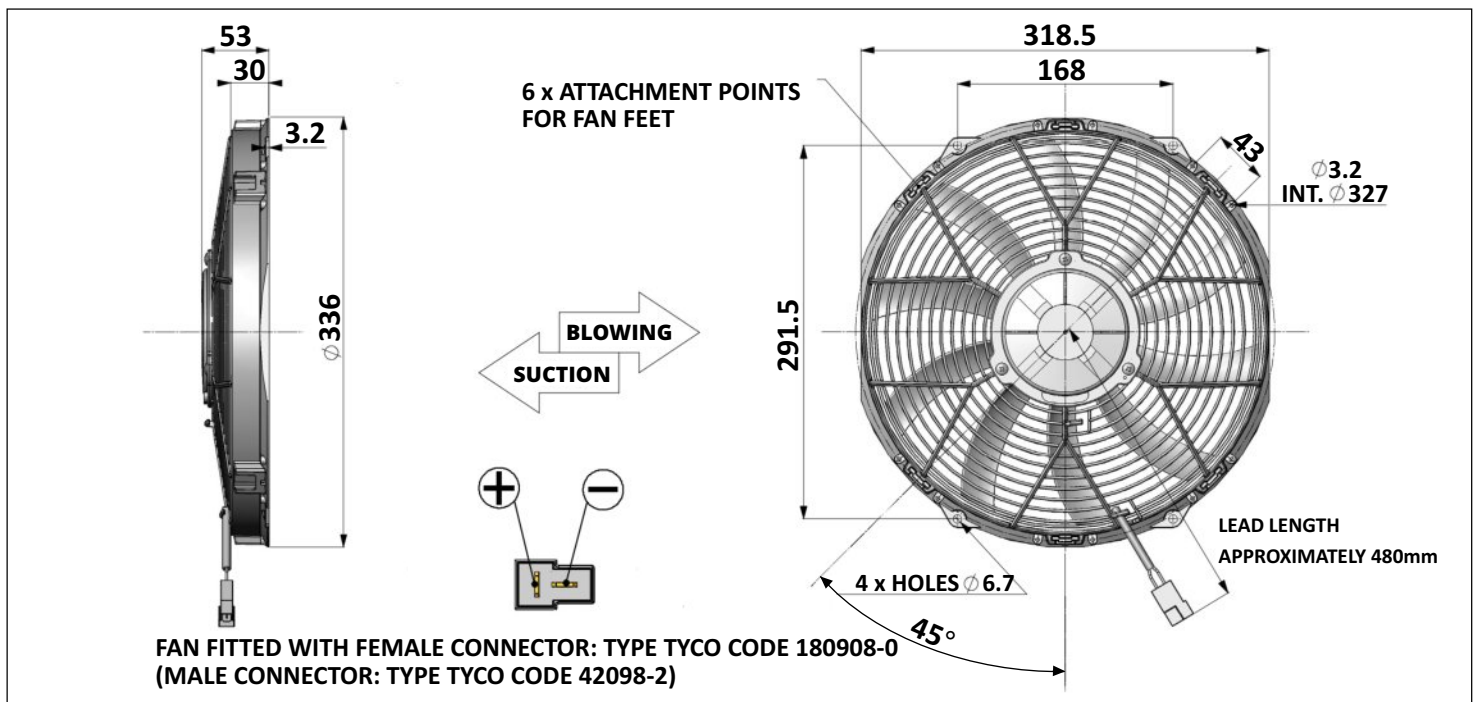
Test voltage 13.0 V DC

Weight 1.3 kg


 Blowing  
(Straight blade)

 Suction  
(Curved blade)

3D model available email us: sales@revotec.com



Notes: