

12V DC		14" (350mm) Suction			14" (350mm) Blowing		
Revotec part no		FAN0419VHP			FAN0726VHP		
Full COMEX code		F42-12L8205/HT-18S 2700.0419.00			F73-12L8205/HT-18B 2700.0726.00		
Fan shroud type		F42			F73		
Static pressure		Suction			Blowing		
Pa	Inches H ₂ O	Airflow m ³ /h	Airflow cfm	Current A	Airflow m ³ /h	Airflow cfm	Current A
0	0	2860	1690	14.4	3100	1830	16.5
25	0.1	2660	1570	14.7	2920	1720	16.9
50	0.2	2460	1450	14.9	2730	1610	17.0
75	0.3	2240	1320	14.9	2490	1470	17.2
100	0.4	1990	1170	14.8	2190	1290	17.6
125	0.5	1660	980	14.7	1790	1060	17.7
150	0.6	1290	760	14.6	1380	810	17.8
175	0.7	830	490	14.6	940	550	17.6
200	0.8	470	280	14.9	520	310	18.0
225	0.9				110	60	18.6
250	1.0	0	0	15.9	0	0	18.9



Blowing
(Straight blade)



Suction
(Straight blade)

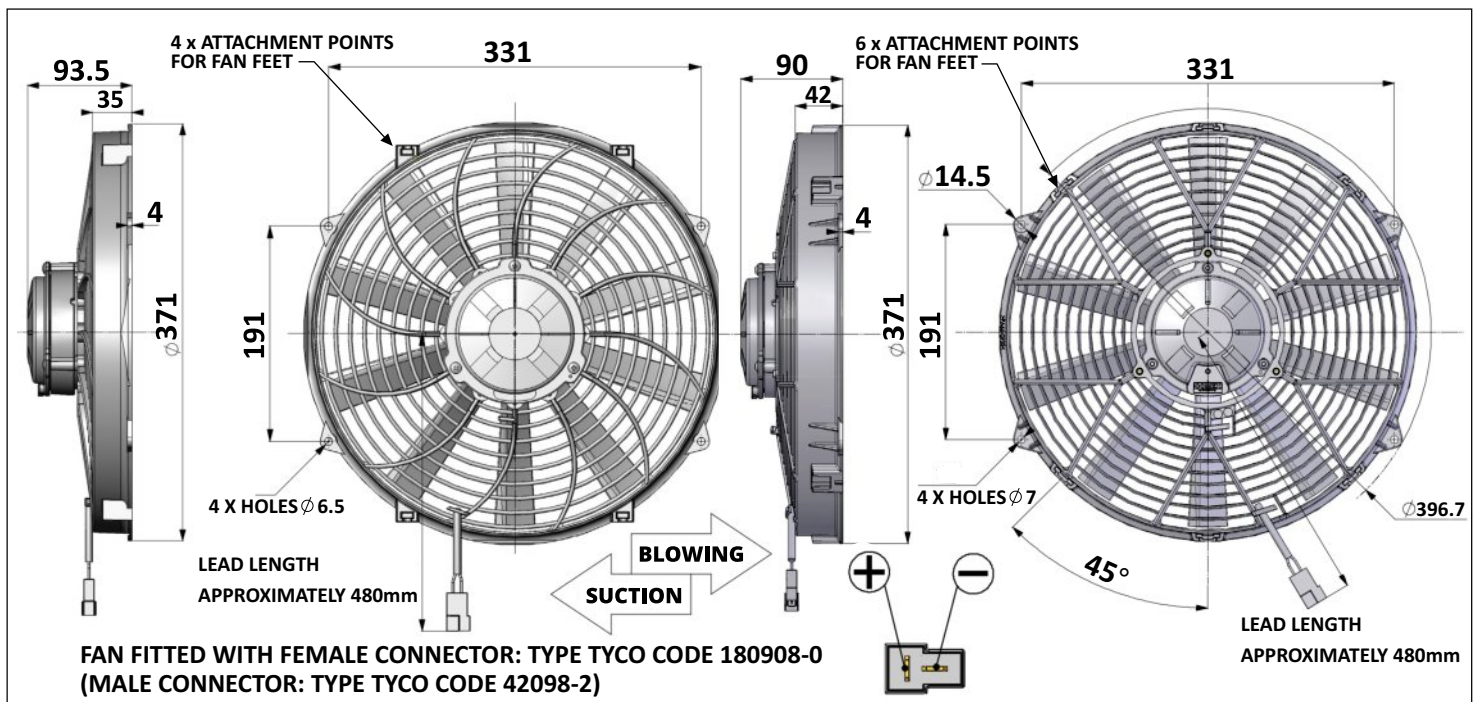
Test voltage 13.0 V DC

Weight 2.5 kg

3D model available email us: sales@revotec.com

SUCTION

BLOWING



Notes: