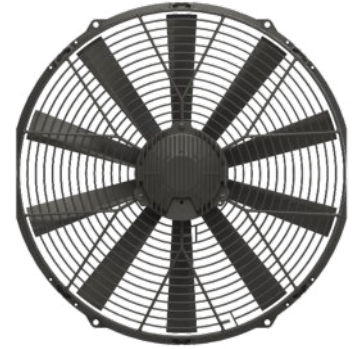


12V DC		15.2" (385mm) Suction			15.2" (385mm) Blowing		
Revotec part no		FAN0150VHP			FAN0151VHP		
Full COMEX code		F30P-12L8205/HT-08S 2700.0150.00			F30P-12L8205/HT-08B 2700.0151.00		
Fan shroud type		F30P			F30P		
Static pressure		Suction			Blowing		
Pa	Inches H ₂ O	Airflow m ³ /h	Airflow cfm	Current A	Airflow m ³ /h	Airflow cfm	Current A
0	0	3770	2220	18.6	3810	2250	19.0
25	0.1	3550	2090	19.2	3600	2120	19.3
50	0.2	3310	1950	19.6	3400	2010	19.8
75	0.3	3070	1810	20.0	3140	1850	19.9
100	0.4	2790	1650	20.1	2780	1640	20.1
125	0.5	2470	1460	20.2	2300	1360	19.9
150	0.6	2010	1190	19.8	1710	1010	20.0
175	0.7	1340	790	19.3	1080	640	19.4
200	0.8	810	480	19.3	620	370	19.6
225	0.9	460	270	20.0	90	50	19.8
250	1.0	0	0	20.4	0	0	21.1

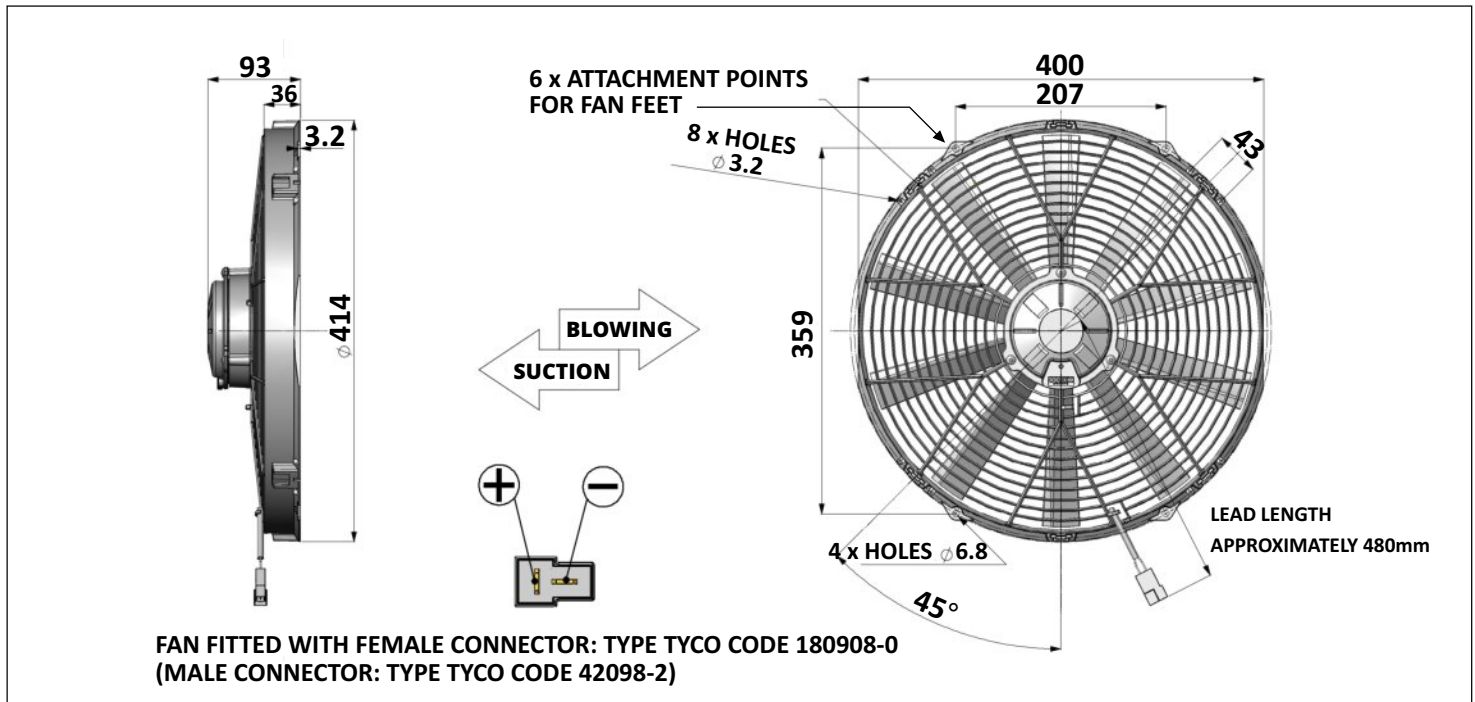


Suction/Blowing
(Straight blade)

Test voltage 13.0 V DC

Weight 2.6 kg

3D model available email us: sales@revotec.com



Notes: