

DIGITAL EWP CONTROLLER

Part No. 8020

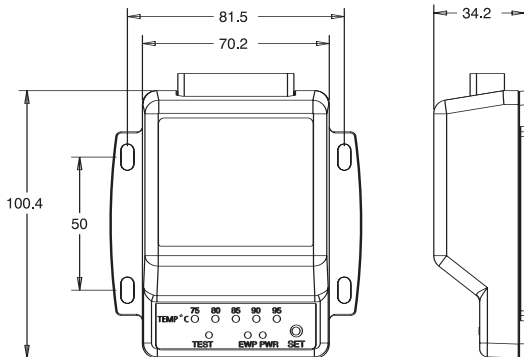
For Optimum control of Electric Water Pumps
Suits Davies, Craig EWP80, EWPI10 & EBP



Technical Specifications

Input Voltage	12V DC to 13.5V DC
Output Voltage	5V to 13.5V
Maximum Current	12.0 Amps
Operating Temperatures	75, 80, 85, 90, 95 DegC
Controller Type	PCB with micro-processor
Sensor Type	Thermister in housing
Time-out	2 min. max or set -5 DegC
Indicator LEDs	Temp., Power, Pump, Test
Weight	90 grams (3.2 oz.)
Dimensions (mm)	101 (l) x 95 (w) x 35 (d)

Dimensional Specifications



Kit Contents

PART#	DESCRIPTION	QTY
8120	Digital Controller	1
8920	Instructions	1
8411	Wiring Harness	1
8410	In-line Adaptor	1
8510	Sleeve 3mm	2
8512	Hose Clamps	2
8414	Thermal Sensor	1
	Assorted Hardware	AR

EWP DIGITAL CONTROLLER OPERATION

